



**SPRO<sup>®</sup>AHD**

# SPD21/36RW-LHD

2MP AHD Outdoor Dome Camera



2 MEGAPIXEL



3.6 MM



15m IR



1080 P



3-AXIS GIMBAL



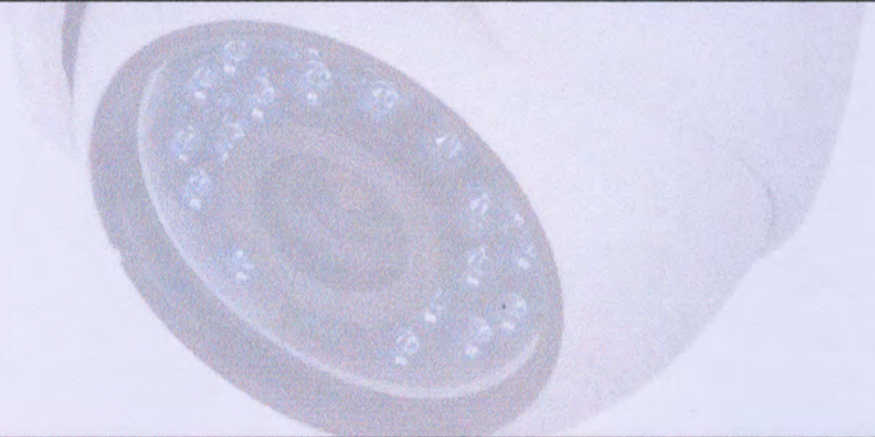
DUAL GLASS



IP66

## Key Features:

- 1080P resolution
- 3.6mm Lens
- 23 Pcs IR LED
- Dual glass
- Up To 15M IR distance
- 3-Axis gimbal
- IP66

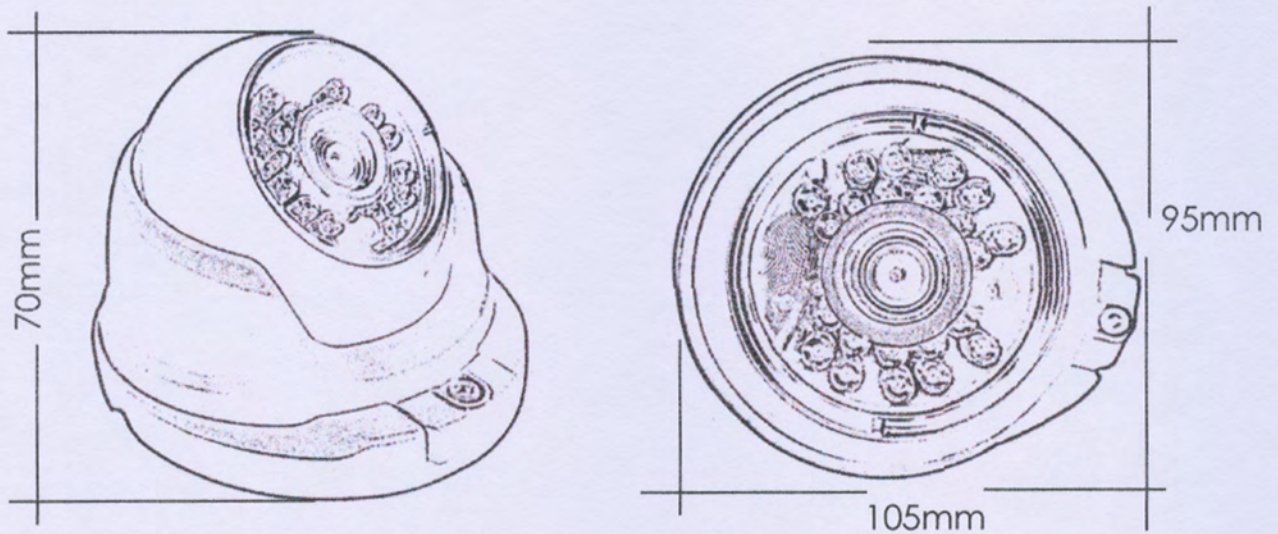


## SPECIFICATIONS

<b>Model Number</b>	SPD21/36R-LHD
<b>Image Sensor</b>	1/2 .8" SONY 2 Mega Pixels
<b>Resolution</b>	1080P @25FPS
<b>Pixels</b>	1920(H) x 1080(V)
<b>IR LED</b>	23PCS IR LED
<b>IR Series Distance</b>	UP TO 15M
<b>Lens</b>	Standard: 3.6mm
<b>Sync System</b>	Internal Synchronization
<b>Minimum Illumination</b>	0 Lux with IR on
<b>S/N Ratio</b>	More than 48DB

(continued)

<b>AGC</b>	Auto
<b>Video Out</b>	AHD
<b>Day/Night</b>	CDS Auto Control
<b>Scanning System</b>	Progressive scanning
<b>Electronic Shutter Time</b>	4/25s ~ 1/45,000s
<b>Operation Temperature</b>	-10 ~ +45°C
<b>White Balance</b>	Auto white balance
<b>Power Source</b>	12V DC, 300 mA
<b>Dimension</b>	105 (d) x 95 (w) x 70(h) mm
<b>Weight</b>	Approx. 300g
<b>Water Resistance</b>	IP66



All specifications are subject to change without notice. Copyright © Luxrite Ltd. All rights reserved